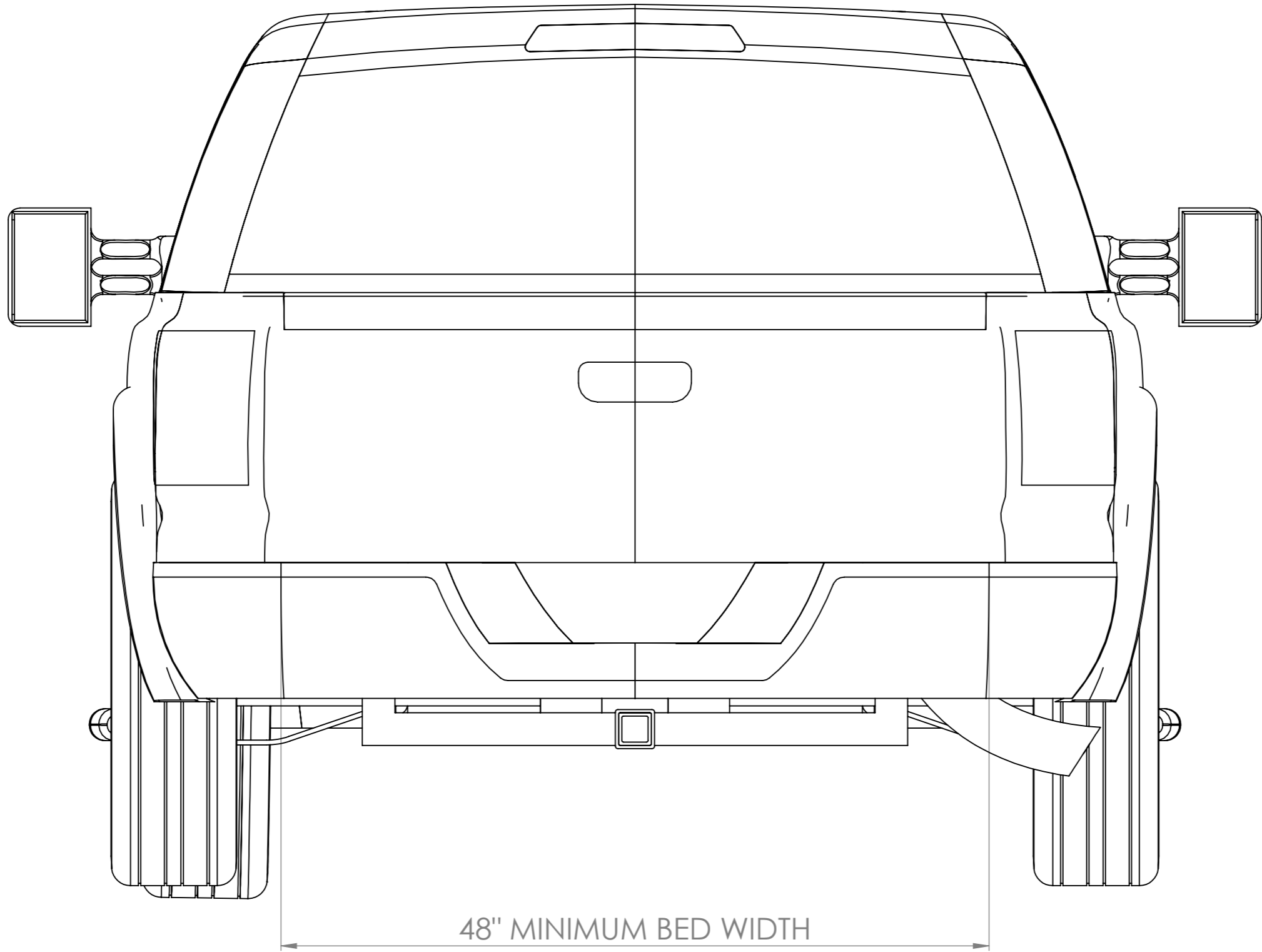


PROPRIETARY AND CONFIDENTIAL
 THE INFORMATION CONTAINED IN THIS DRAWING IS THE SOLE PROPERTY OF **LIFTMASTERS, LLC.** ANY REPRODUCTION IN PART OR AS A WHOLE WITHOUT THE WRITTEN PERMISSION OF **LIFTMASTERS, LLC.** IS PROHIBITED.


UNLESS OTHERWISE SPECIFIED: DIMENSIONS ARE IN INCHES SURFACE FINISH: TOLERANCES: LINEAR: ANGULAR:			FINISH:			DEBURR AND BREAK SHARP EDGES		
NAME	SIGNATURE	DATE						
DRAWN		2/24/2020						
CHK'D								
APPV'D								
MFG								
Q.A						MATERIAL:		
						WEIGHT: 17.36		

DO NOT SCALE DRAWING		REVISION
 LIFTMASTERS LLC, Watertown, SD Contact: Justin 605-753-0919 jallbee@liftgator.com		
TITLE: TRUCKFITMENT		
DWG NO.	TRUCKFITMENT 11X17	
SCALE: 1:2	SHEET 1 OF 2	



48" MINIMUM BED WIDTH

PROPRIETARY AND CONFIDENTIAL
 THE INFORMATION CONTAINED IN THIS DRAWING IS THE SOLE PROPERTY OF **LIFTMASTERS, LLC.** ANY REPRODUCTION IN PART OR AS A WHOLE WITHOUT THE WRITTEN PERMISSION OF **LIFTMASTERS, LLC.** IS PROHIBITED.

UNLESS OTHERWISE SPECIFIED: DIMENSIONS ARE IN INCHES		FINISH:		DEBURR AND BREAK SHARP EDGES		DO NOT SCALE DRAWING		REVISION	
SURFACE FINISH:						 LIFTMASTERS LLC, Watertown, SD Contact: Justin 605-753-0919 jallbee@liftgator.com			
TOLERANCES:						TITLE: TRUCKFITMENT			
LINEAR:									
ANGULAR:									
	NAME	SIGNATURE	DATE						
DRAWN			2/24/2020						
CHK'D									
APPV'D									
MFG									
Q.A					MATERIAL:		DWG NO.	TRUCKFITMENT 1X17	
					WEIGHT: 17.36		SCALE:1:2	SHEET 2 OF 2	